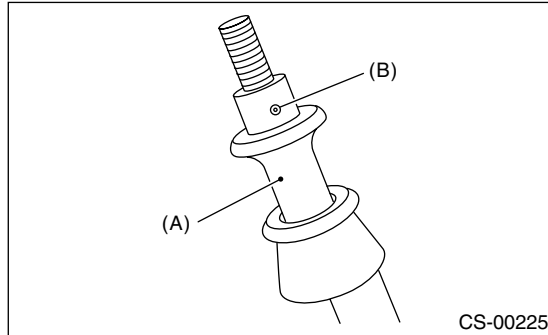


8. Reverse Check Cable

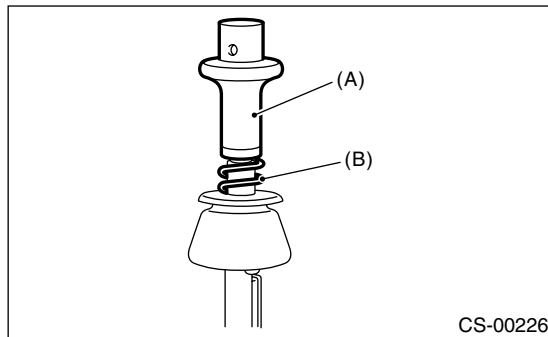
A: REMOVAL

- 1) Set the vehicle on a lift.
- 2) Remove the gear shift knob.
- 3) Remove the console box front. <Ref. to EI-43, REMOVAL, Console Box.>
- 4) Remove the spring pin from slider.



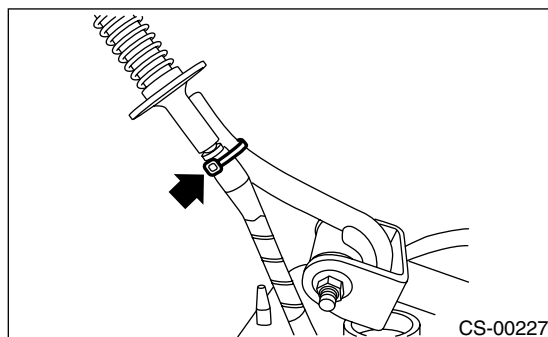
- (A) Slider
- (B) Spring pin

- 5) Remove the slider and spring.



- (A) Slider
- (B) Spring

- 6) Cut the band clip, and then separate the reverse check cable from gear shift lever.

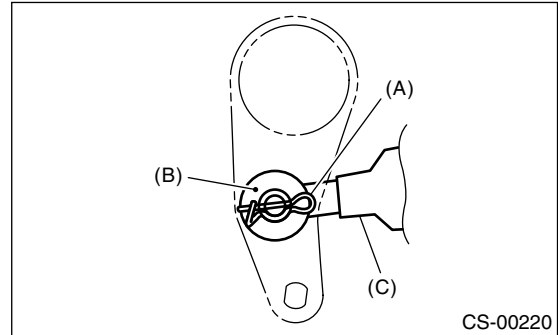


- 7) Lift-up the vehicle.
- 8) Remove the under cover.

- 9) Remove the rear exhaust pipe and muffler. <Ref. to EX(H4DOTC)-13, REMOVAL, Rear Exhaust Pipe.>, <Ref. to EX(H4DOTC)-14, REMOVAL, Muffler.>

- 10) Remove the crossmember. <Ref. to 6MT-33, REMOVAL, Transmission Mounting System.>

- 11) Remove the snap pin and washer, and then separate the reverse check cable from reverse check lever.

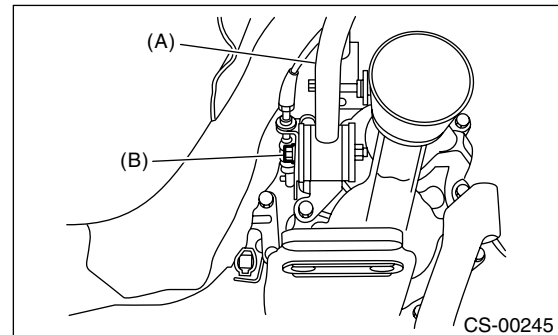


- (A) Snap pin
- (B) Washer
- (C) Reverse check cable

- 12) Move the transmission to right side, and then remove the stay bolt and reverse check cable.

NOTE:

If the transmission is not moved, the stay bolt will contact body and damage may occur.

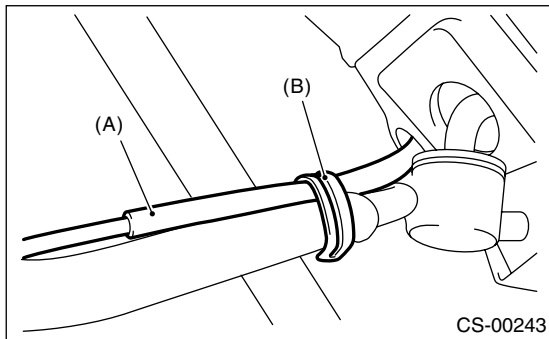


- (A) Stay
- (B) Stay bolt

REVERSE CHECK CABLE

CONTROL SYSTEMS

13) Raise the clip of stay, and then separate the stay and reverse check cable.



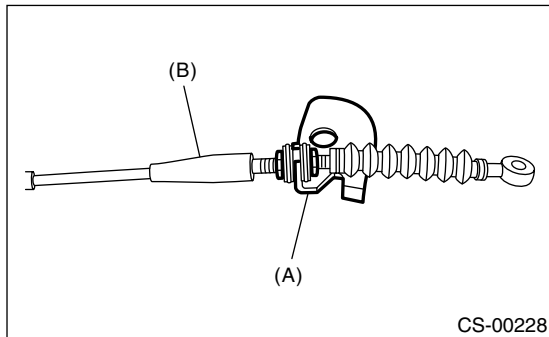
- (A) Reverse check cable
- (B) Clip

14) Remove the reverse check cable by pulling from underneath the vehicle.

NOTE:

Take care not to damage the inner boot.

15) Loosen the lock nut, then remove the reverse check cable from cable plate.



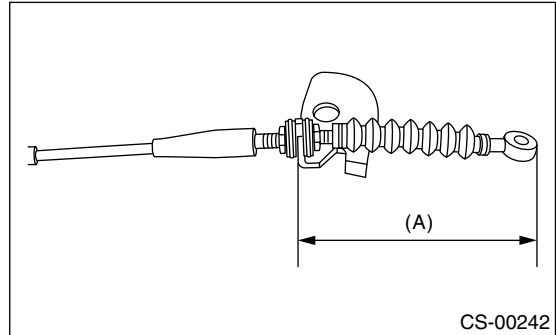
- (A) Cable plate
- (B) Reverse check cable

B: INSTALLATION

1) Adjust the length between end of cable plate and reverse check cable to 84 mm (3.31 in), and then tighten the lock nut.

Tightening torque:

6 N·m (0.6 kgf-m, 4.4 ft-lb)



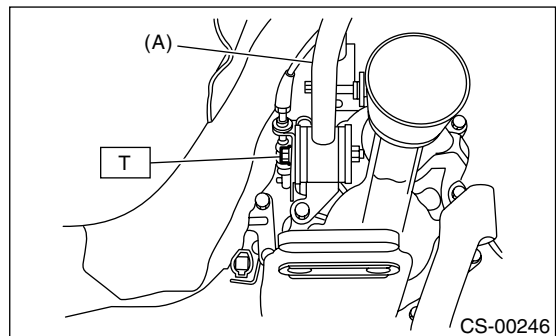
- (A) 84 mm (3.31 in)

2) Insert the reverse check cable to the hole of inner boots from underneath the vehicle.

3) Move the transmission to right side, and then install the stay.

Tightening torque:

T: 32 N·m (3.3 kgf-m, 23.6 ft-lb)



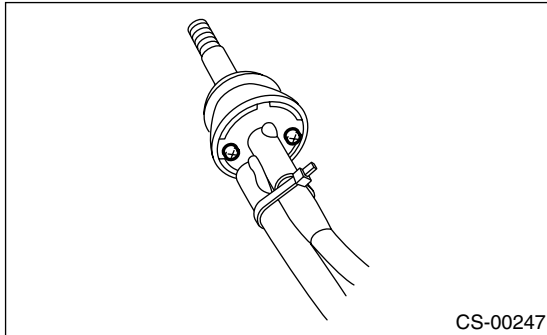
- (A) Stay

4) Lower the vehicle.

5) Insert the reverse check cable to the gear shift lever assembly, then fix with the band clip.

NOTE:

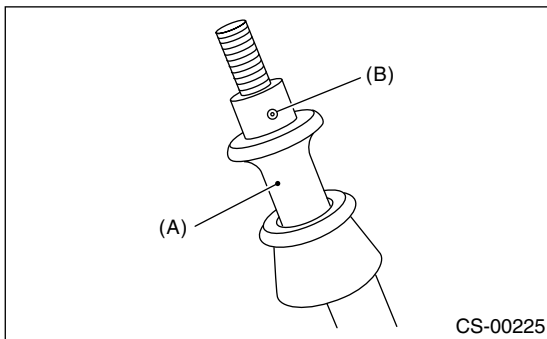
- Cut off the extra band clip.
- Make sure that the reverse check cable is inserted into gear shift lever assembly without any clearance.



6) Fix the slider and reverse check cable end with spring pin.

NOTE:

Apply grease to the sliding part of slider.



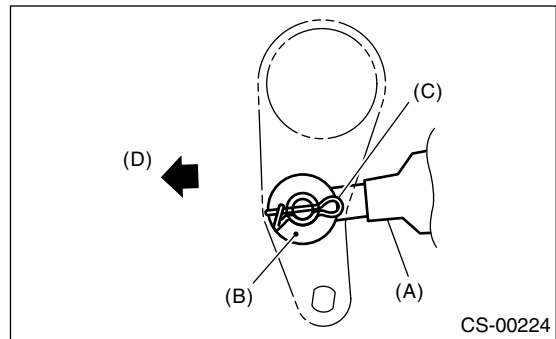
- (A) Slider
- (B) Spring pin

7) Lift-up the vehicle.

8) Install the reverse check cable end, washer and snap pin to reverse check lever.

NOTE:

Take care to install the snap pin in proper direction.

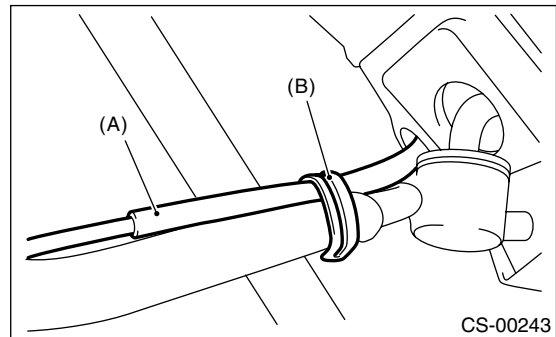


- (A) Reverse check cable
- (B) Washer
- (C) Snap pin
- (D) Front side

9) Fix the reverse check cable to clip of stay.

NOTE:

Install the reverse check cable to upper side of stay.



- (A) Reverse check cable
- (B) Clip

10) Install the rear exhaust pipe and muffler. <Ref. to EX(H4DOTC)-13, INSTALLATION, Rear Exhaust Pipe.>, <Ref. to EX(H4DOTC)-14, INSTALLATION, Muffler.>

11) Install the console box. <Ref. to EI-43, INSTALLATION, Console Box.>

REVERSE CHECK CABLE

CONTROL SYSTEMS

C: INSPECTION

1) Verify whether the slider moves smoothly. If not, adjust the reverse check cable or check damage of slider. <Ref. to CS-48, ADJUSTMENT, Reverse Check Cable.>

2) Check that the gear can be shift to reverse, when the slider is pulled up. If the gear can not be shift to reverse, adjust the reverse check cable. <Ref. to CS-48, ADJUSTMENT, Reverse Check Cable.>

3) Check that the gear can not be shift to reverse, when the slider is not pulled up. If the gear can be shift to reverse, adjust or replace the reverse check cable. <Ref. to CS-48, ADJUSTMENT, Reverse Check Cable.>

D: ADJUSTMENT

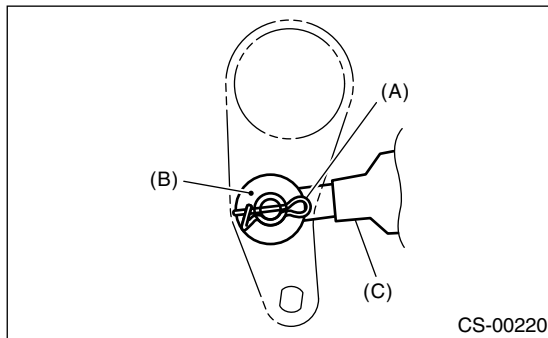
1) Set the vehicle on a lift.

2) Remove the under cover.

3) Remove the rear exhaust pipe and muffler. <Ref. to EX(H4DOTC)-13, REMOVAL, Rear Exhaust Pipe.>, <Ref. to EX(H4DOTC)-14, REMOVAL, Muffler.>

4) Remove the crossmember. <Ref. to 6MT-33, REMOVAL, Transmission Mounting System.>

5) Remove the snap pin and washer, and then separate the reverse check cable from reverse check lever.

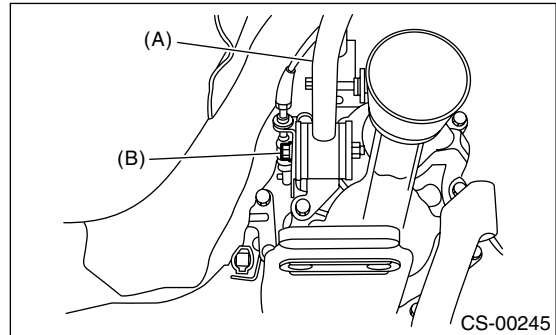


- (A) Snap pin
- (B) Washer
- (C) Reverse check cable

6) Move the transmission to right side, and then remove the stay bolt and reverse check cable.

NOTE:

If the transmission is not moved, the stay bolt will contact body and damage may occur.

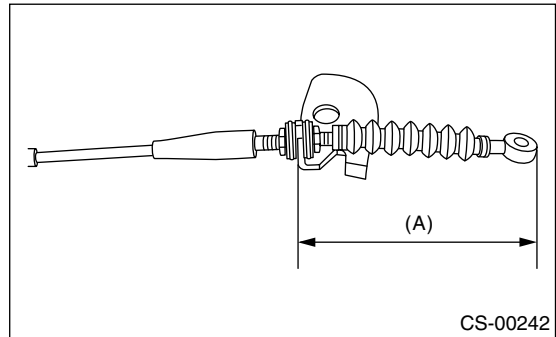


- (A) Stay
- (B) Stay bolt

7) Adjust the length between end of cable plate and reverse check cable to 84 mm (3.31 in), and then tighten the lock nut.

Tightening torque:

6 N·m (0.6 kgf·m, 4.4 ft·lb)

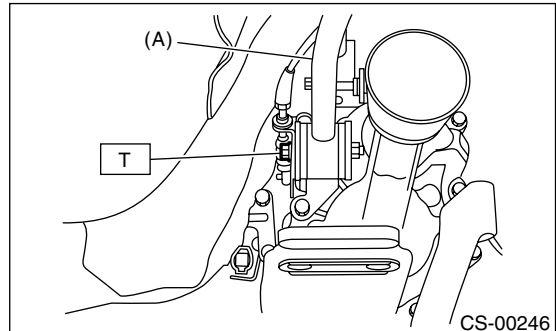


- (A) 84 mm (3.31 in)

8) Move the transmission to right side, and then install the stay.

Tightening torque:

T: 32 N·m (3.3 kgf·m, 23.6 ft·lb)



- (A) Stay

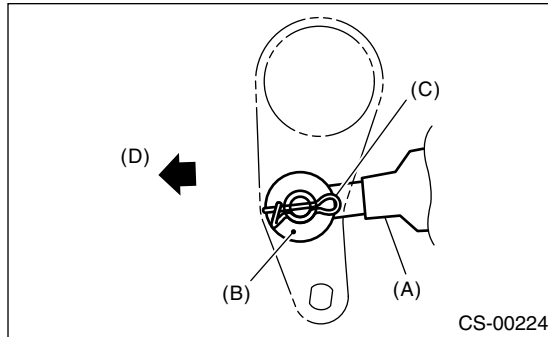
9) Install the crossmember. <Ref. to 6MT-33, INSTALLATION, Transmission Mounting System.>

10) Install the rear exhaust pipe and muffler. <Ref. to EX(H4DOTC)-13, INSTALLATION, Rear Exhaust Pipe.>, <Ref. to EX(H4DOTC)-14, INSTALLATION, Muffler.>

11) Install the reverse check cable end, washer and snap pin to reverse check lever.

NOTE:

Take care to install the snap pin in proper direction.



- (A) Reverse check cable
- (B) Washer
- (C) Snap pin
- (D) Front side

12) Install the under cover.